



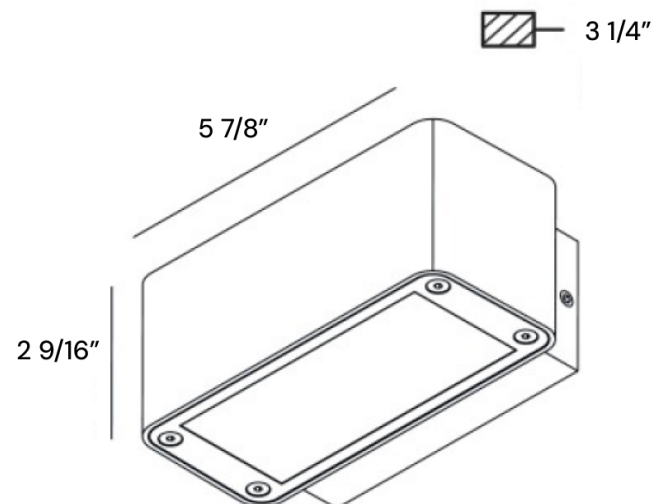
14056 INSTALLATION INSTRUCTIONS FOR: Architectural Outdoor LED Wall Light

Installation Instructions:

- **Prepare for Installation**
 - Before starting, disconnect power by turning off the circuit breaker or removing the fuse from the fuse box.
 - Ensure all electrical connections comply with local and National Electrical Code (NEC) or Canadian Electrical Code (CEC) standards.
- **Safety Guidelines**
 - Installation must be performed by a qualified electrician.
 - Use CSA or UL-listed wire connectors appropriate for the gauge, type, and number of conductors.
- **Grounding Instructions**
 - Attach the junction box grounding wire (green or bare copper) to the bare copper grounding wire from the fixture.
 - If the junction box does not have a ground wire, secure the fixture's bare copper wire to the green ground screw on the crossbar.
- **Assembly Instructions**
 - Follow the step-by-step numerical progression outlined in the assembly guide for proper fixture assembly.

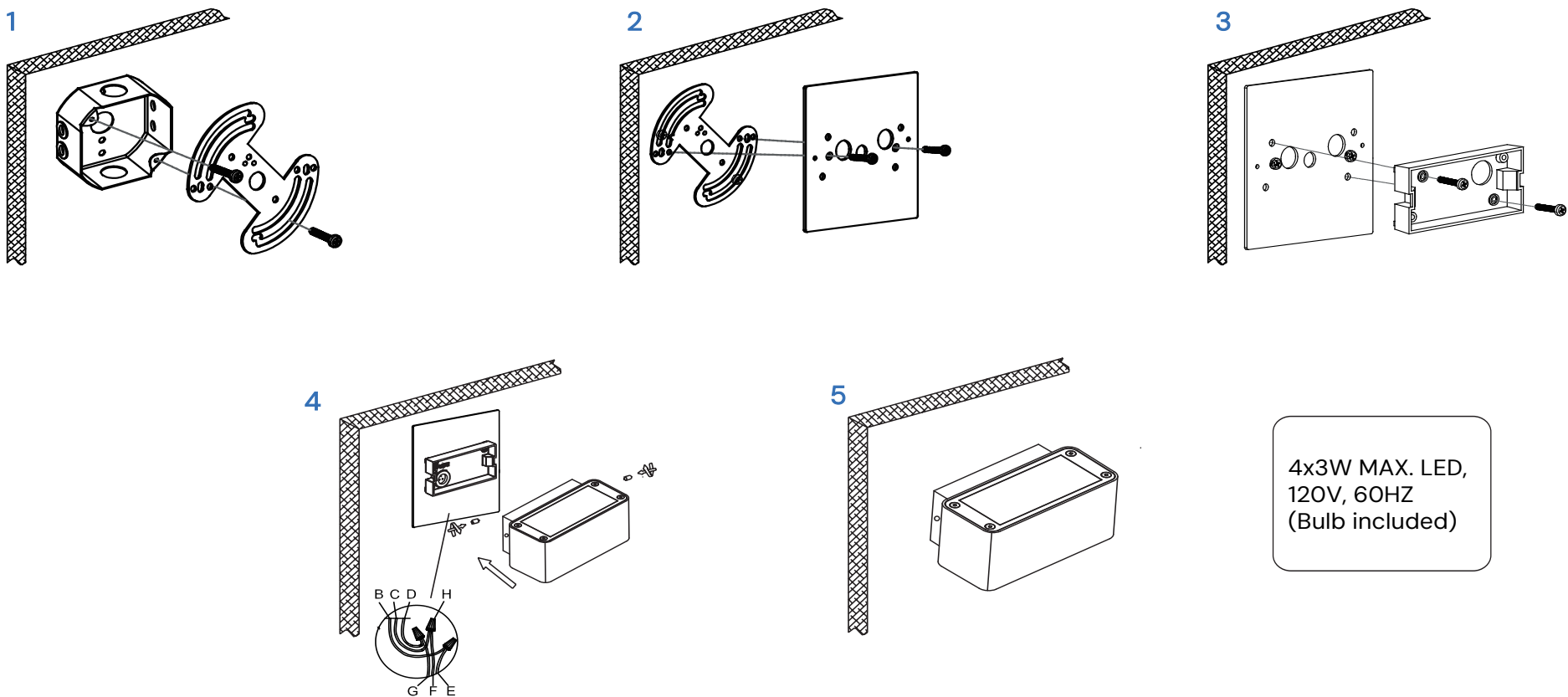
Additional Information

- Estimated Assembly Time: Approximately 20 minutes
- Tools Required for Assembly (not included):
 - Flathead screwdriver
 - Phillips screwdriver
 - Pliers
 - Electrical tape
 - Wire cutters
- Helpful Tools (not included):
 - Wire strippers
 - Ladder



WARNING: RISK OF FIRE AND ELECTRICAL SHOCK. FIXTURE MUST BE INSTALLED BY A QUALIFIED ELECTRICIAN ONLY IN ACCORDANCE WITH NATIONAL, LOCAL BUILDING AND ELECTRICAL CODES. DISCONNECT POWER AT ELECTRICAL PANEL BEFORE SERVICING.

14056 INSTALLATION INSTRUCTIONS FOR: Architectural Outdoor LED Wall Light



4x3W MAX. LED,
120V, 60HZ
(Bulb included)

- A--Outlet Box screw x
- B-Black wire(L) from junction box
- C-White wire(N) from junction box
- D--Green wire/Bare copper (G) fro junction box
- E--Black wire from fixture
- F--White wire from fixture
- G--Green wire/Bare copper from fixture
- H--Wire connector x